



Ottawa County 4-H

<p>Ottawa County Extension Office Address 123 E Central Ste 101 Miami, OK, 74354</p>	<p>Phone 918-542-1688 Website extension.okstate.edu/ ottawa</p>	<p>Email kathy.enyart@okstate.edu spirit.cox@okstate.edu donna.richard@okstate.edu</p>	<p>Facebook OSU Ottawa County Extension YouTube Ottawa County OSU Extension</p>
--	---	---	---

This Month:

- | | |
|--|--|
| <p><u>Apr. 1—Capitol Camp Applications due</u>
 Apr. 1—Urban Farming Conference, Vinita 9:30-3:00
 <u>Apr. 1—OCHC Sponsorships due</u>
 Apr. 5—4-H Day at the Capitol
 Apr. 8—State 4-H Horse Judging Contest
 Apr. 14—Reg. for State 4-H Livestock Judging Contest
 <u>Apr. 14—State 4-H Record Books due to office</u>
 Apr. 14-16—OCHC Trail Ride</p> | <p>Apr. 15—Ottawa County Family Connections Petting Zoo
 <u>Apr. 21—Vet Science Short Course Applications due</u>
 Apr. 21-23—Innovate youth Leadership Summit
 Apr. 28-29—NE District Horse Show
 Apr. 29—State 4-H Livestock Judging
 Apr. 29—Mural Fest Petting Zoo</p> |
|--|--|



- ⇒ State Record Books and Scholarships are due to the office **April 14th.**
- ⇒ If you are interested please let the office know so we can help you get started on yours. Don't be afraid to reach out! You can come in anytime to work on your record book, county or state! We are always here to help!
- ⇒ State Record Books offer tons of great scholarships that help significantly with college tuition. Be sure to not miss out on this opportunity, especially if you are in high school and plan on attending college!
- ⇒ Even if you don't plan on attending college, State Record Books look good on job resumes. They show that you are hard working and committed, even more the reason to fill one out!

Oklahoma State University, as an equal opportunity employer, complies with all applicable federal and state laws regarding non-discrimination and affirmative action. Oklahoma State University is committed to a policy of equal opportunity for all individuals and does not discriminate based on race, religion, age, sex, color, national origin, marital status, sexual orientation, gender identity/expression, disability, or veteran status with regard to employment, educational programs and activities, and/or admissions. For more information, visit <https://eeo.okstate.edu>.

OCHC Trail Ride



@ Underwood's Crag-O-Lea Horse Camp Campground, Pineville, MO

<p>April 14th:</p> <p>05:30-08:00 pm Arrival, camp set ups, free time</p> <p>April 15th:</p> <p>08:00 am Breakfast (on own)</p> <p>09:00-11:00 am Trail Ride</p> <p>11:00-12:00 pm Stick Horse Rodeo</p> <p>12:00-01:00 pm Lunch break (on own)</p> <p>01:00-03:00 pm Help with roping, goat tying, and showmanship</p> <p>03:00-06:00 pm Trail Ride</p> <p>06:30-07:00 pm Break/untack horses</p> <p>07:00-08:00 pm Smores for everyone! Games and fun!</p> <p>08:15 pm Bedtime</p>	<p>April 16th:</p> <p>08:00-09:00 am Biscuits and gravy break fast provided by club</p> <p>09:00-10:30 am Group picture and trail ride</p> <p>10:30 am Clean up camps and leave as you are ready</p> <ul style="list-style-type: none"> • Fun and casual, come and go as you please. • Bring stick horses, roping and goat tying dummies, ropes and tie strings, and cornhole boards. • Smores provided Saturday night! • Biscuits and Gravy Sunday morning!
--	--

Petting Zoos

- ⇒ If you are interested in volunteering for a petting zoo, please contact the office.
- ⇒ You can bring a few animals, work the 4-H booth, and/or answer questions individuals may have about livestock or 4-H!
- ⇒ All help is greatly appreciated!

Results

County Challenge Results!

4-H Leaders decided to total or challenge competition at the contest day on Saturday, March 25th. Miami 4-H took the win in the change for change competition with \$42 worth of change and Afton 4-H won the pop tab side with 12.8 lbs of tabs! Both clubs will be receiving a pizza party at their April 4-H meetings! Congratulations!

Our Round Up attendees will take these collections and whatever else is collected between now and July 26th to Round Up for the state challenge! These collections make huge differences for the charities they go to. Thank you to all that participated in this challenge.



County Contest Results

Congratulations and great job to all participants!

-Cloverbuds Ledger Colby (Impressive Dress, Photography, Educational Poster), Jacie Foster (Speech, Impressive Dress, Photography, Graphic Arts, Educational Poster), Madison Goforth (Educational Poster), Morgan Marino (Impressive Dress).

-Speeches

Intermediate— Illustrated Presentation Non-Food: Dillon Foster-Class Champion & Division Champion; Regular Talk: Dillon Foster-Class Champion & Division Reserve Champion.

Senior— Illustrated Presentation PowerPoint: Berkeley Ulrey-Class Champion & Division Champion; Illustrated Presentation Non-Food: Taylor Fry-Class Champion & Division Reserve Champion.

-Impressive Dress

Junior— Sports Wear: Morgan Price-Class Champion, Liam Colby-Class Reserve Champion; Western Wear: Josiah Dorey-Class Champion & Division Reserve Champion, DaKyla Kinsey-Class Reserve Champion; Dress Wear: DaKyla Kinsey-Class Champion & Division Champion; Formal Wear: Jensen Dorey-Class Champion.

Intermediate—Casual Wear: Jocelyn Colby-Class Champion & Division Champion, Dillon Foster-Class Reserve Champion & Division Reserve Champion; Formal Wear: Jocelyn Colby-Class Champion.

-Photography

Junior— Class 1: Jensen Dorey-Class Champion & Division Reserve Champion, Liam Colby-Class Reserve Champion; Class 4: Josiah Dorey-Class Champion; Class 5: Josiah Dorey-Class Champion & Division Champion, Jensen Dorey-Class Reserve Champion.

Intermediate— Class 1: Jocelyn Colby-Class Champion & Division Champion; Class 4: Dillon Foster-Class Champion & Division Reserve Champion.

Senior— Class 18: Berkeley Ulrey-Class Champion & Division Champion, Taylor Fry-Class Reserve Champion & Division Reserve Champion.

-Graphic Arts

Junior— Class 3: Josiah Dorey-Class Champion & Division Champion.

Intermediate— Class 1: Dillon Foster-Class Champion & Division Champion.

Senior— Class 2: Berkeley Ulrey-Class Champion & Division Champion

-Educational Poster

Junior— Class 318: Josiah Dorey-Class Champion & Division Champion, Jensen Dorey-Class Reserve Champion; Class 325-1: Liam Colby-Class Champion & Division Reserve Champion.

Intermediate— Class 300-4: Dillon Foster-Class Champion; Class 325-1: Dillon Foster-Class Champion & Division Champion, Jocelyn Colby-Class Reserve Champion & Division Reserve Champion.

Senior— Class 300-7: Taylor Fry-Class Champion & Division Champion; Class 308-24: Taylor Fry-Class Champion; Class 319-14: Berkeley Ulrey-Class Champion & Division Reserve Champion.

-Design & Construction

Junior— Class ADC-4: Josiah Dorey-Class Champion; Class IDC-25: Josiah Dorey-Class Champion; Class IDC-41: Josiah Dorey-Class Champion; Class HTDC-44: Jensen Dorey-Class Champion & Division Reserve Champion, Josiah Dorey-Class Reserve Champion; Class HTDC-45: Josiah Dorey-Class Champion & Division Champion.

Intermediate— Class HTDC-44: Dillon Foster-Class Champion & Division Champion.

Future 4-H Events

- **May 12**—Reg. for NE District Contest Due
- **May 13-14**—Ottawa County Swine Jackpot, watch Facebook for more info
- **May 23-24**—Vet Science Short Course
- **May 26**—OCHC 2022-2023 Award Banquet
- **May 31**—4-H Day Camp/Pecan Show Cooking Day
- **June 1**—Reg. for Multi-County Camp Due - \$110 -We need more camp counselors and campers this year so tell your friends! Camp counselor training is **June 12**.
- **June 2**—Pecan Food Show
- **June 6-8**—NE District Contest Days
- **June 13**—State Record Book Interviews
- **June 14**—4-H Day Camp
- **June 15-24**—Citizenship Washington Focus 2023
- **June 16-17**—Ottawa County Fair Tag-In
- **June 19-21**—Multi-County Camp
- **June 28**—4-H Day Camp
- **July 10**—County Record Books Due
- **July 12**—4-H Day Camp
- **July 18-19**—Big 3 Field Days
- **July 26**—4-H Day Camp
- **July 26-28**—State 4-H Round Up
- **Aug. 5-12**—Ottawa County Fair



For more info on any of these please contact the office!

Project Success Stories

If you would like to share a success story about your 4-H project to put in the newsletter, contact Spirit: spirit.cox@okstate.edu. We want to recognize your efforts and accomplishments to encourage other 4-H'ers to be involved as well. Your stories will also help with 4-H recruitment! Stories will be a great way to connect with other members and prepare for your record books!



Active Project Clubs:



Shooting Sports—Shotgun:

- Meets Sundays @ 2 pm
@ Shawnee Skies
- Coaches are Dale Smith and Mike Williams
- Contact office for more info!

-If you know someone who may be interested in leading Air Rifle/ Pistol and/or Archery or any other 4-H shooting sports event please let office know!

OC Horse Club:

- March 28th is the deadline to signup for NED Horse Show.
- OCHC Trail Ride is April 14th-16th, open to everyone! More info on previous page.
- Planning banquet and next year's dates!



-Contact spirit.cox@okstate.edu or the office and/or watch Facebook for more info.

Coming Soon:

- Dog Club, May 2023, every Tuesday after school is out for summer until County Fair
- Animal Science
- Livestock Quiz Bowl/ Judging
- Horse Judging
- Teen Leaders

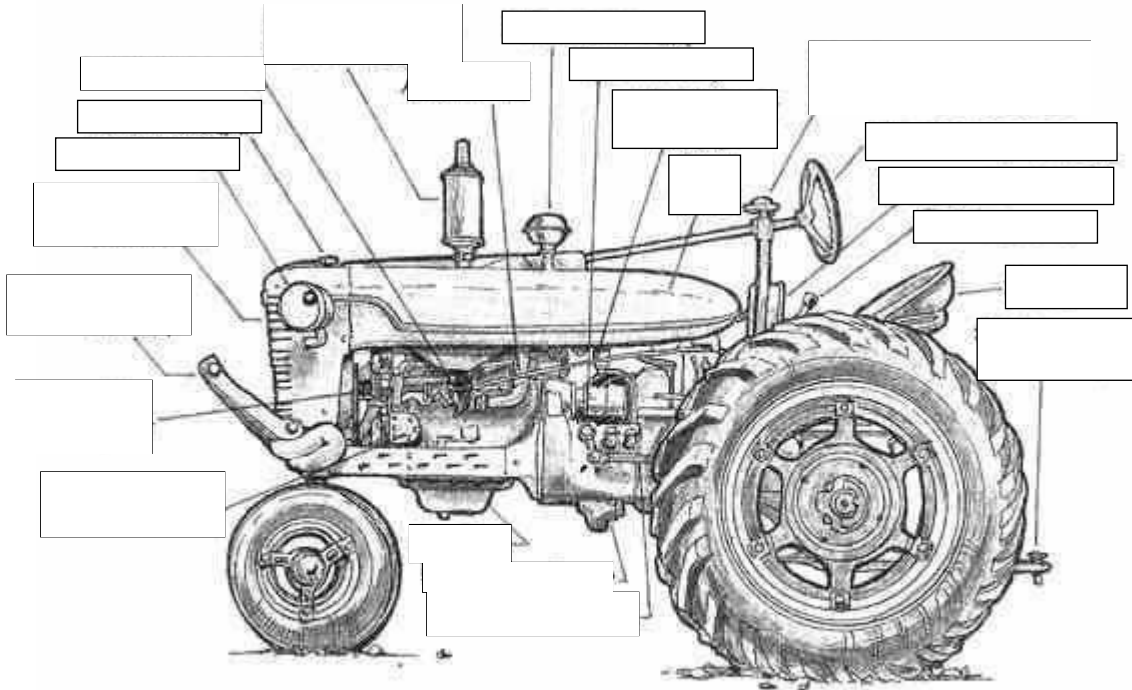


-Extension Staff are working on training/ gathering curriculum for these project clubs! If you are interested in any of them please let us know. Also, if you have a project that interests you please inform the office so we can work on finding material!

4-H Fun!!



See what parts of a tractor you can name!



Tractor Mac

ANSWERS GIVEN IN NEXT MONTH'S EDITION

March Brain Teaser Answer's

1. Claire leaves New York by eight in the morning, driving 35 mph. Nina starts driving to New York at a speed of 50 mph. When they meet, which one will be furthest away from New York? **When they meet, they will be the same distance from NY.**
2. Nero is very tall, over 6 ft actually and very broad. He works in a butcher shop and wears size 10 shoes. What does he weigh? **Meat, he works at a butcher shop.**
3. How is Europe like a frying pan? **Because it has Greece at the bottom.**
4. Who travels across the world but stays in the same corner? **A stamp.**
5. People make me, save me, change me, raise me. Who am I? **Money.**



Oklahoma 4-H offers ATV safety course

The weather is warming up and soon students will be on summer vacation. A fun activity for many youth is riding All-Terrain Vehicles, otherwise known as ATVs and utility task vehicles, also known as UTVs.

To help ensure both youth and adults ride safely, the Oklahoma 4-H Youth Development Program offers the [ATV Riders Course](#) to groups, organizations, families and individuals ages 10 years and older who are interested in learning more about safely operating both ATVs and UTVs, said Ravyn Bevard, [Oklahoma State University Extension](#) youth ATV safety educator.

“As we transition from winter to warmer weather, more people want to get outside and enjoy the outdoors,” Bevard said. “The overall goal for the ATV Rider Course is to provide youth and adults with the opportunity to learn how to safely ride these vehicles. With National ATV Safety Week observed May 13-21, now is a great time to get your organization, family or group signed up to take the course.”

The two-part course consists of a two-hour online E-Course coupled with a three-hour hands-on riding component conducted by licensed ATV Safety Institute instructors. Participants are asked to complete the online course before the hands-on course.

Bevard said the actual riding part of the training can take place at the riding facility near the Logan County Fairgrounds in Guthrie, Oklahoma, or she can take the machines to the participants’ location. It can be taught at a school, church or other location with an open field or gravel lot. Groups must have at least four participants.

“At our facility in Guthrie riders will get the full experience for all of the exercises, including trail riding, hills and an open field,” she said. “If we go on location, participants will do a circuit ride in various patterns.”

She also covers proper gear to wear to ride, including a helmet, gloves, long sleeves, long pants and closed-toed shoes that come up over the ankles. She familiarizes the group safety information as well as basic ATV controls, including brakes, foot brakes, choke, lights and ignition.

“One of the most important lessons we teach in these classes is weight shift. ATVs are very rider-active,” she said. “Riders have to know how to shift their weight for different scenarios they encounter, such as rounding a corner or driving over an obstacle on the trail. ATVs have long seats to allow riders the space they need to shift. That extra room isn’t there to make room for another rider.”

Bevard said 90% of fatalities are related to individuals not wearing a helmet or riding an ATV that’s too big for them.

“Unfortunately, about 90% of kids ride adult-sized ATVs, which is dangerous,” she said. “These machines are expensive, and kids can quickly outgrow the smaller machines, but it’s important to ride the correct size. Consider buying the smaller machines for younger youth and trading them in as they grow.”

A grant provided by the Southwest Ag Center at the University of Texas was used to purchase helmets and participants who go to the class at Guthrie will receive a free helmet while supplies last. The class costs \$10 per person and reservations can be made by emailing Bevard at rbevard@okstate.edu or call 405-744-4141.

“With summer just around the corner, kids will have more free time. With that free time, we want them to be safe,” Bevard said.

###

Oklahoma State University, as an equal opportunity employer, complies with all applicable federal and state laws regarding non-discrimination and affirmative action. Oklahoma State University is committed to a policy of equal opportunity for all individuals and does not discriminate based on race, religion, age, sex, color, national origin, marital status, sexual orientation, gender identity/expression, disability, or veteran status with regard to employment, educational programs and activities, and/or admissions. For more information, visit <https://eeo.okstate.edu>.